



BUCKET WHEEL WASHERS

The Bucket Wheel Washers Metalomarão are characterized by their simple design, low maintenance and excellent performances that are optimized by combining some variables as water volume, speed of bucket wheel, type and size of the net.

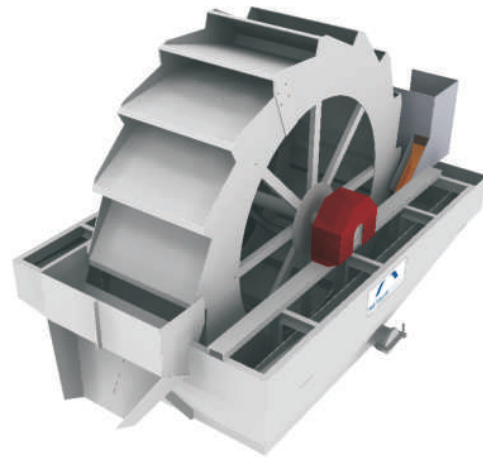
They are used for dewatering of inert, making the recovery of sand contained in water from other washing equipment, limiting the possible loss of fines.

BUCKET WHEEL WASHERS

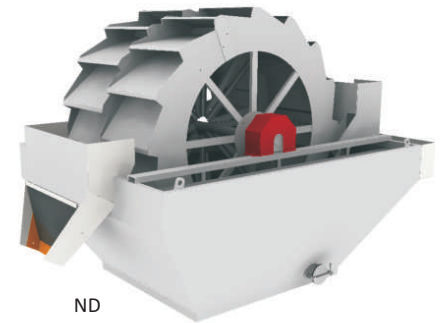


BUCKET WHEEL WASHERS	Pulp flow (m³/h)	Production (t/h)	Power (kW)	Weight (kg)
Moderate Flow				
NS.30.10	until 180	40 – 80	3	3800
ND.35.14	until 360	80 – 160	4	5280
High Flow				
NS.50.10	until 800	120 – 160	9.2	19600
ND.50.20	until 960	240 – 320	18.5	24800
NS.60.10	until 1600	160 – 220	15	31200
ND.60.20	until 1800	320 – 440	2x15	39500
NS – Simple Wheel Washer (1 Bucket Wheel)				
ND – Double Wheel Washer (2 Bucket Wheels)				

Notes: Other measures on request.
Values of production dependent of material.



NS



ND



METALOMARÃO
Equipamentos para a indústria extrativa, S.A.

Rua de Mem Gundar, nº1048
Apartado 78
4600-642 Gondar - Amarante | Portugal

T +351 255 420 580
F +351 255 420 589

geral@metalomarao.pt
www.metalomarao.pt

GPS: Latitude: 41°15'14.93"N
Longitude: 8° 1'56.22"W

E01|Data:2015.09